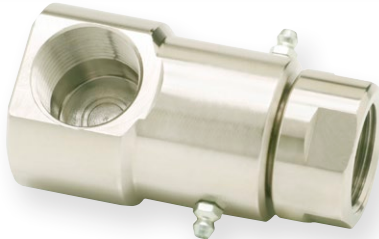
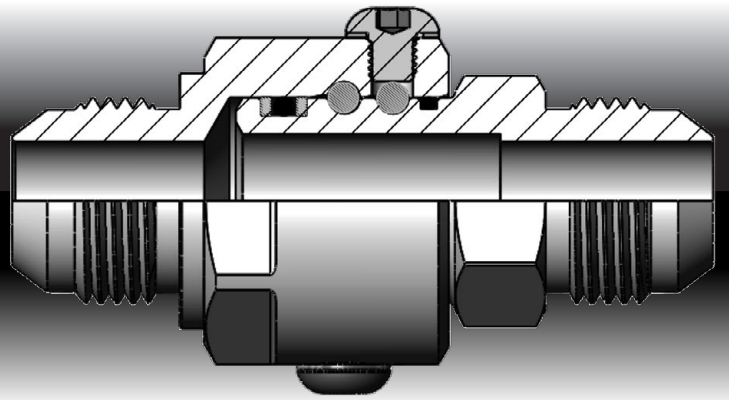


Extra Heavy Duty Dual Bearing Race



In extreme applications
Extra Heavy Duty Swivels offers a multiple
bearing race design for superior
side load strength and added
load bearing support.

The inner and outer ball bearing races are
integrally designed and machined within
tight tolerances into the hardened metal of
the male stem and female body providing a
rigid track for the balls to roll freely,
yet securely.



**HEXTRA
Heavy
DUTY**™

Quality Products Made In The U.S.A., Patent No. 5547233

Super Swivels • 7917 Beech Street NE
Minneapolis, MN 55432-1762

www.SuperSwivels.com

Email: sales@superswivels.com

763-784-5531

Fax: 763-784-7423

Male J.I.C. (37°) X Female J.I.C. (37°)	Female Pipe (N.P.T.F) X Female Pipe (N.P.T.F)	Male O-Ring (O.R.B.) X Male Face Seal (M.F.S.)
 <p>SS 12 DB MJ 12 X FJ 12</p>	 <p>SS 16 DB FP 100 X FP 100</p>	 <p>SS 16 DB MO 16 X MFS 16</p>
Male J.I.C. (37°) X Male J.I.C. (37°)	Female Pipe (N.P.T.F) X Male J.I.C. (37°)	Male J.I.C. (37°) X Male Face Seal (M.F.S.)
 <p>SS 12 DB MJ 12 X MJ 12</p>	 <p>SS 16 DB FP 100 X MJ 16</p>	 <p>SS 16 DB MJ 16 X MFS 16</p>
Male J.I.C. (37°) X Female J.I.C. (37°)	Male J.I.C. (37°) X Female O-Ring (O.R.B.)	Male J.I.C. (37°) X Female Pipe (N.P.T.F.)
 <p>SS 16 DB MJ 16 X FJ 16</p>	 <p>SS 16 DB MJ 16 X FO 16</p>	 <p>SS 16 DB MJ 16 X FP 100</p>
Male J.I.C. (37°) X Male J.I.C. (37°)	Male O-Ring (O.R.B.) X Female O-Ring (O.R.B.)	90° Female Pipe (N.P.T.F.) X Female Pipe (N.P.T.F.)
 <p>SS 16 DB MJ 16 X MJ 16</p>	 <p>SS 16 DB MO 16 X FO 16</p>	 <p>9 SS 16 DB FP 100 X FP 100</p>
Female Face Seal (F.F.S.) X Male Face Seal (M.F.S.)	Male Face Seal (M.F.S.) X Male Face Seal (M.F.S.)	90° Male J.I.C. (37°) X Female Pipe (N.P.T.F.)
 <p>SS 16 DB FFS 16 X MFS 16</p>	 <p>SS 16 DB MFS 16 X MFS 16</p>	 <p>9 SS 16 DB MJ 16 X FP 100</p>