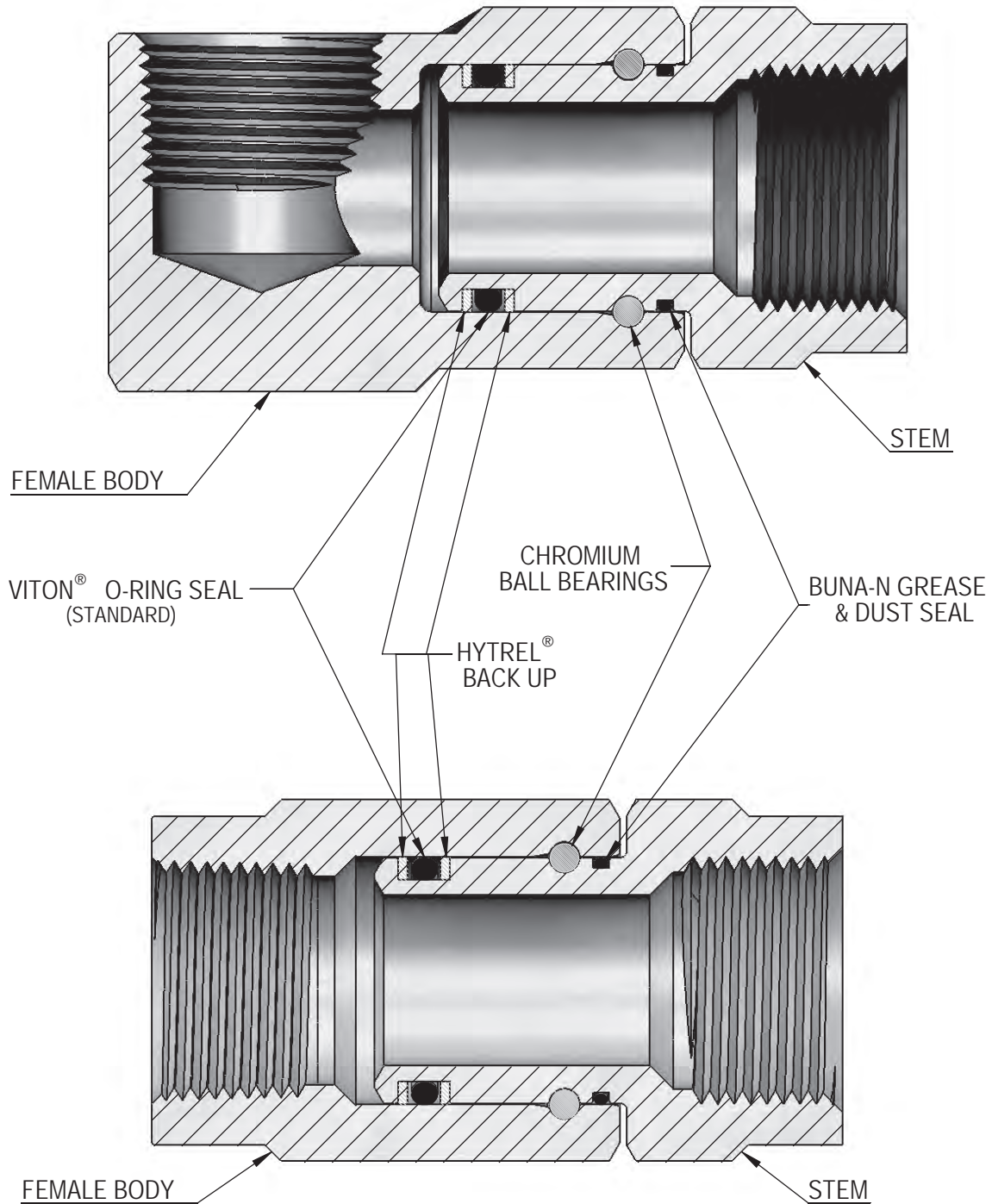


Cross Sectional Drawings



Zinc Plated for Hydraulic Oil Applications
Sizes 4 through 16