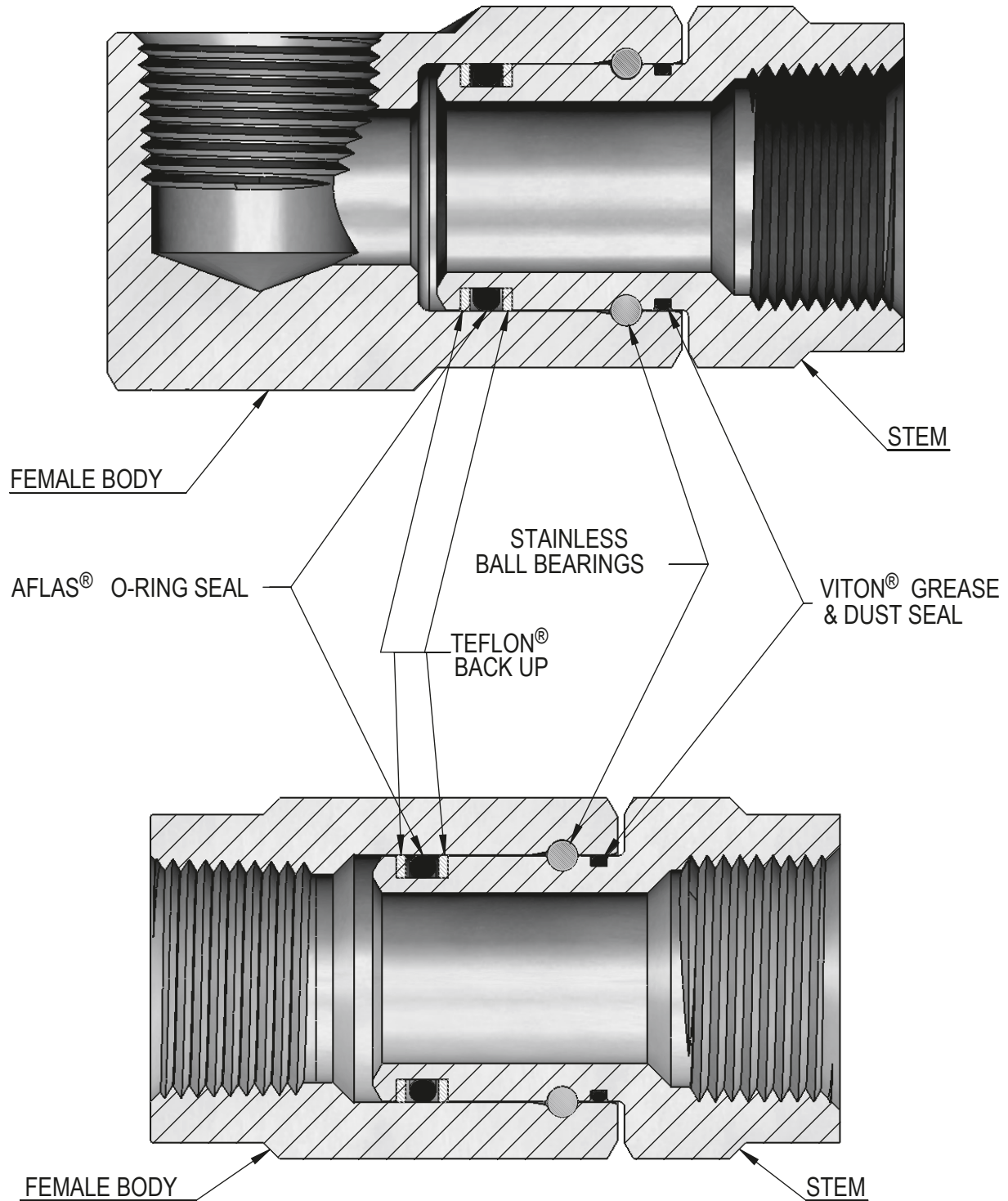


Cross Sectional Drawings



Nickel Plated for Corrosive Media Applications
Sizes 4 through 16