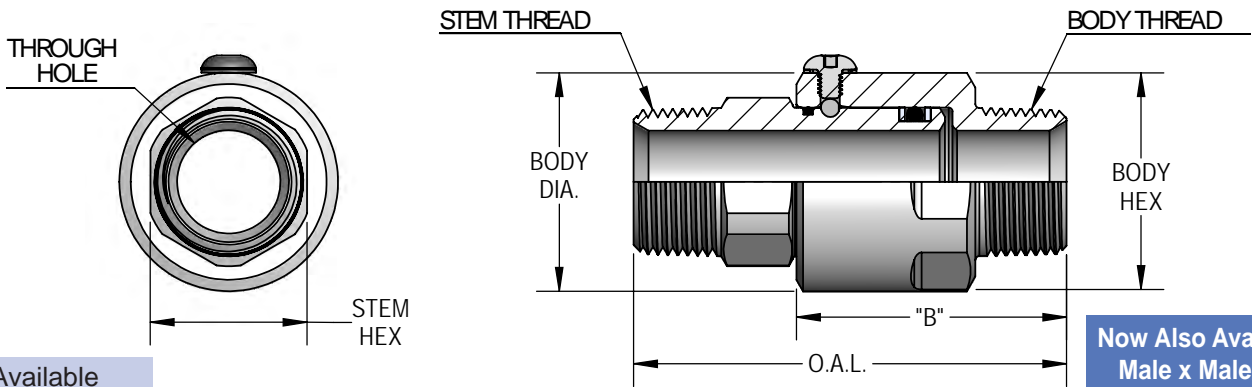


Male Pipe (N.P.T.F.) X Male Pipe (N.P.T.F.)



Not Available
In Stainless Steel!

Now Also Available In
Male x Male BSPP
See Page 52

PART NUMBER	O.A.L.	DIM. B	STEM THREAD	BODY THREAD	STEM HEX	BODY DIA.	BODY HEX	MAX P.S.I.G.	THROUGH HOLE
SS 4 MP 25 X MP 25	2.380	1.650	1/4-18 N.P.T.F.	1/4-18 N.P.T.F.	0.625	HEX	1.000	5000	0.250
SS 4 MP 38 X MP 38	2.460	1.650	3/8-18 N.P.T.F.	3/8-18 N.P.T.F.	0.750	HEX	1.000	5000	0.250
SS 8 MP 38 X MP 38	2.810	1.700	3/8-18 N.P.T.F.	3/8-18 N.P.T.F.	1.000	1.290	1.187	5000	0.406
SS 8 MP 50 X MP 50	2.940	1.750	1/2-14 N.P.T.F.	1/2-14 N.P.T.F.	1.000	1.480	1.375	5000	0.530
SS 12 MP 75 X MP 75	3.040	1.850	3/4-14 N.P.T.F.	3/4-14 N.P.T.F.	1.125	1.675	1.560	4500	0.689
SS 16 MP 100 X MP 100	3.800	2.370	1-11 1/2 N.P.T.F.	1-11 1/2 N.P.T.F.	1.375	1.917	1.812	4000	0.906
SS 20 MP 125 X MP 125	4.090	2.580	1 1/4-11 1/2 N.P.T.F.	1 1/4-11 1/2 N.P.T.F.	1.750	2.357	2.187	4000	1.181
SS 24 MP 150 X MP 150	4.780	3.100	1 1/2-11 1/2 N.P.T.F.	1 1/2-11 1/2 N.P.T.F.	2.000	2.557	2.375	4000	1.312
SS 32 MP 200 X MP 200	5.225	3.625	2-11 1/2 N.P.T.F.	2-11 1/2 N.P.T.F.	2.500	3.055	2.875	3000	1.781

Inline Swivels ...Continues on page 14



304 & 440c

- **304** nickel/chrome alloy, non-hardening, Austenitic, Non-magnetic stainless steel.
- **304** offers excellent chemical corrodents resistance.
- **304** swivels have a medium pressure rating.
- **440c** high carbon – high chrome, heat treated, Martensitic, magnetic Stainless Steel.
- **440c** offers chemical corrosion resistance.
- **440c** swivels have a high pressure rating.



Visit our website
to see our
complete selection
and catalog.