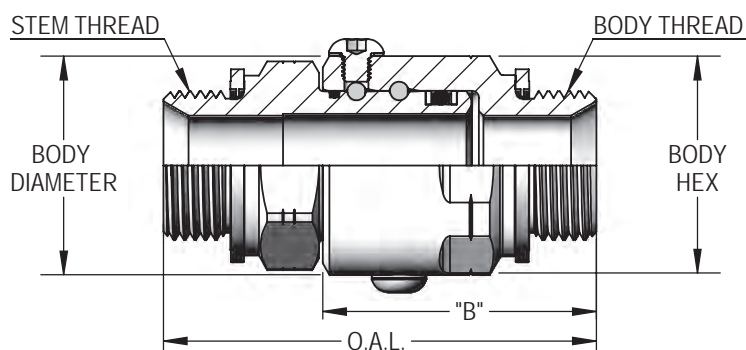
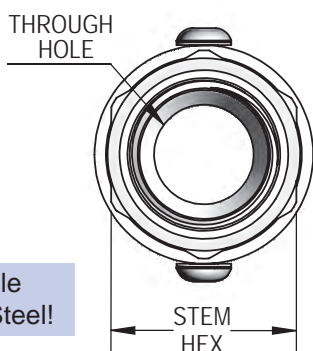


Male BSPP X Male BSPP



Also Available in MPxMP
Now In NPTF
See Page 13



Not Available
In Stainless Steel!

PART NUMBER	O.A.L.	DIM. B	STEM THREAD	Body THREAD	STEM HEX	BODY DIA.	BODY HEX	MAX. PRES.	THROUGH HOLE
SS 4 MBSPP 4 X MBSPP 4	2.600 66 mm	1.650 41.9 mm	G 1/4-19 BSPP	G 1/4-19 BSPP	0.812 20.6 mm	HEX	1.000 25.4 mm	5,000 PSI 345 BAR	0.250 6.4 mm
SS 6 MBSPP 6 X MBSPP 6	2.670 67.8 mm	1.720 43.7 mm	G 3/8-19 BSPP	G 3/8-19 BSPP	1.062 27 mm	1.290 32.8 mm	1.187 30.1 mm	5,000 PSI 345 BAR	0.313 8 mm
SS 8 DB MBSPP 8 X MBSPP 8	3.060 77.7 mm	2.035 51.7 mm	G 1/2-14 BSPP	G 1/2-14 BSPP	1.125 28.6 mm	1.480 37.6 mm	1.375 34.9 mm	5,000 PSI 345 BAR	0.437 11.1 mm
SS 12 DB MBSPP 12 X MBSPP 12	3.270 83 mm	2.070 52.6 mm	G 3/4-14 BSPP	G 3/4-14 BSPP	1.312 33.3 mm	1.675 42.5 mm	1.562 39.7 mm	5,000 PSI 345 BAR	0.657 16.7 mm
SS 16 DB MBSPP 16 X MBSPP 16	3.800 96.5 mm	2.400 61 mm	G 1-11 BSPP	G 1-11 BSPP	1.625 41.3 mm	1.917 48.7 mm	1.812 46 mm	4,500 PSI 310 BAR	0.875 22.2 mm
SS 20 MBSPP 20 X MBSPP 20	4.190 106.4 mm	2.580 65.5 mm	G 1 1/4-11 BSPP	G 1 1/4-11 BSPP	2.000 50.8 mm	2.357 59.9 mm	2.187 55.5 mm	4,000 PSI 275 BAR	1.125 28.6 mm
SS 24 MBSPP 24 X MBSPP 24	4.930 125.2 mm	3.130 79.5 mm	G 1 1/2-11 BSPP	G 1 1/2-11 BSPP	2.250 57.2 mm	2.557 64.9 mm	2.375 60.3 mm	4,000 PSI 275 BAR	1.312 33.3 mm